

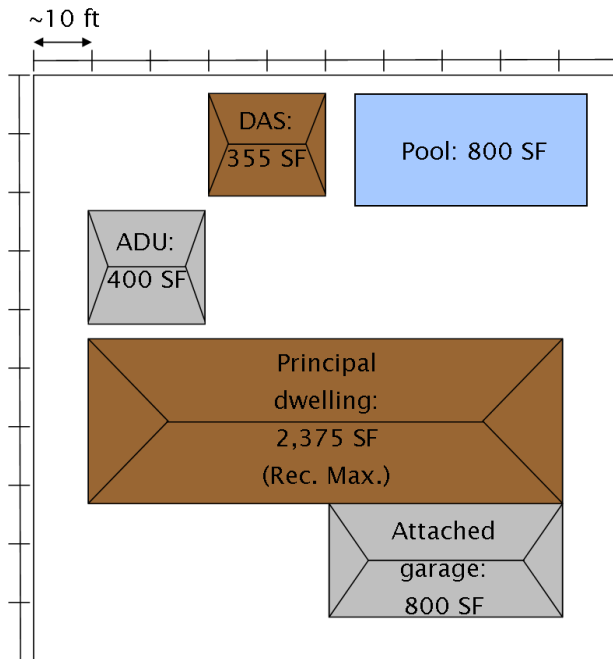
Example 1A

Lot size:
9,999 SF (0.23 acre)

Recommended Maximum House Net Floor Area (Rec. Max.):
2,375 SF

DAS allowance:
10% of Rec. Max. ~ 235 SF

Lot coverage (buildings only):
38.1%



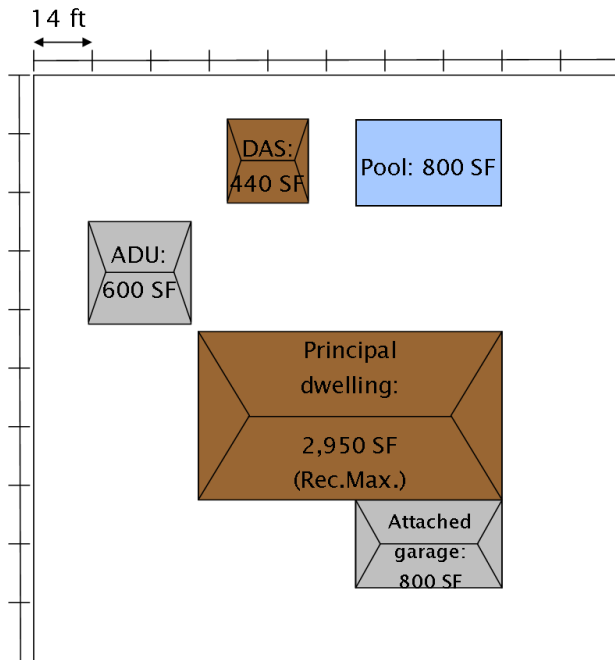
Example 1B

Lot size:
9,999 SF (0.23 acre)

Rec. Max.:
2,375 SF

DAS allowance:
15% ~ 355 SF

Lot coverage (buildings only):
39.3%



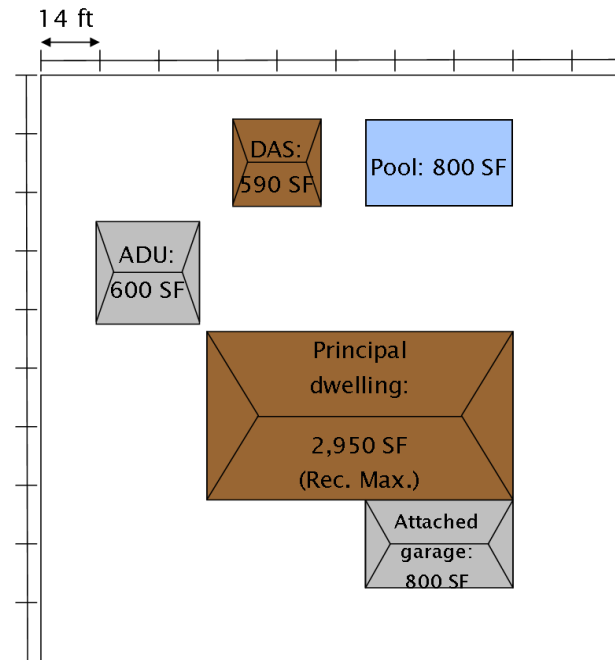
Example 2A

Lot size:
19,999 SF (0.46 acre)

Rec. Max.:
2,950 SF

DAS allowance:
15% ~ 440 SF

Lot coverage
(buildings only):
24.0%



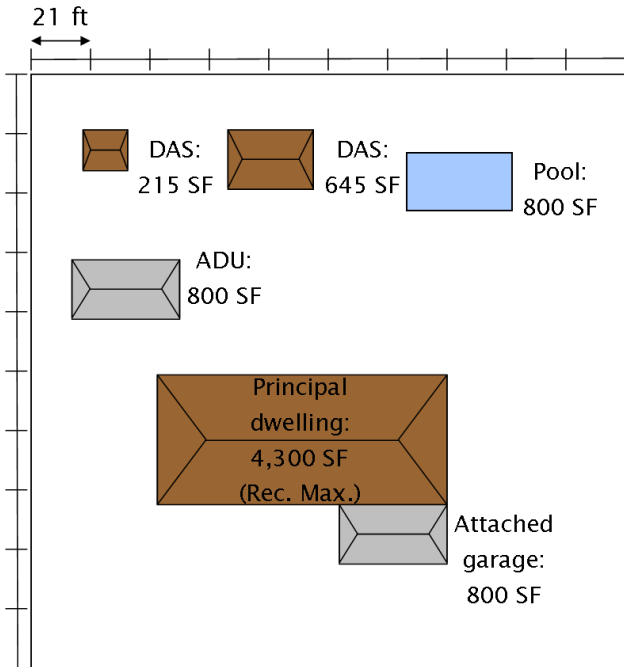
Example 2B

Lot size:
19,999 SF (0.46 acre)

Rec. Max.:
2,950 SF

DAS allowance:
20% = 590 SF

Lot coverage
(buildings only):
24.7%



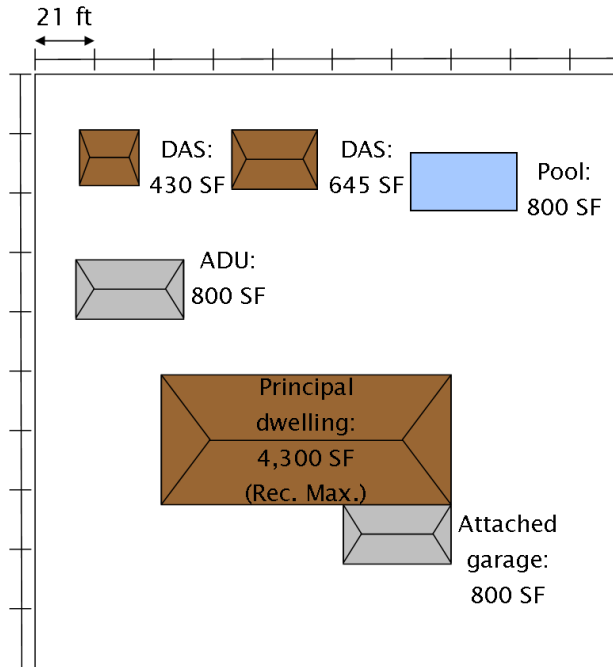
Example 3A

Lot size:
43,560 SF (1 acre)

Rec. Max.:
4,300 SF

DAS allowance:
20% = 860 SF

Lot coverage
(buildings only):
15.5%



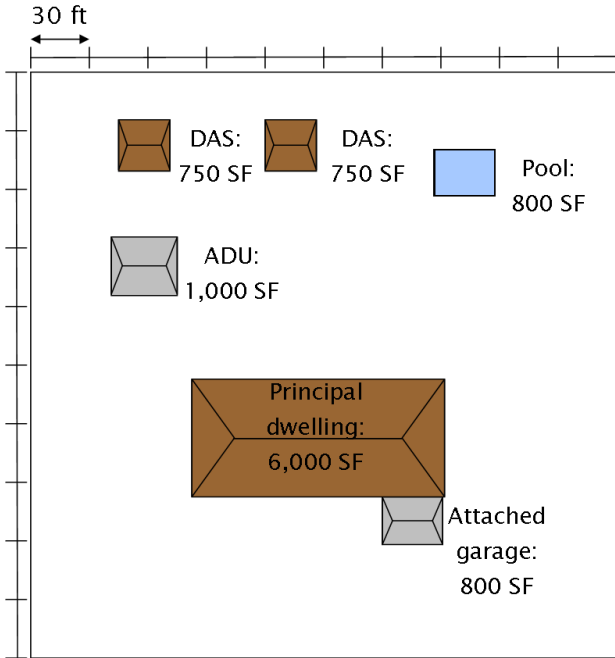
Example 3B

Lot size:
43,560 SF (1 acre)

Rec. Max.:
4,300 SF

DAS allowance:
25% = 1,075 SF

Lot coverage
(buildings only):
16.0%



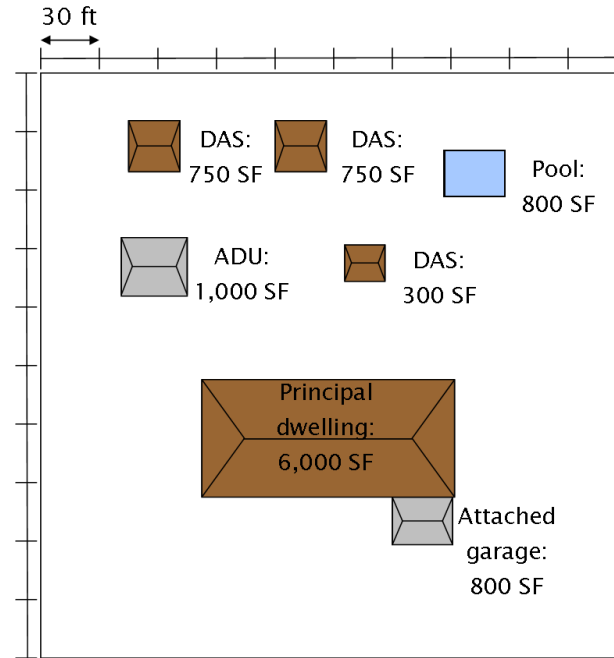
Example 4A

Lot size:
90,000 SF (~2 acres)

Rec. Max.:
6,000 SF

DAS allowance:
25% = 1,500 SF

Lot coverage
(buildings only):
10.3%



Example 4B

Lot size:
90,000 SF (~2 acres)

Rec. Max.:
6,000 SF

DAS allowance:
30% = 1,800 SF

Lot coverage
(buildings only):
10.7%